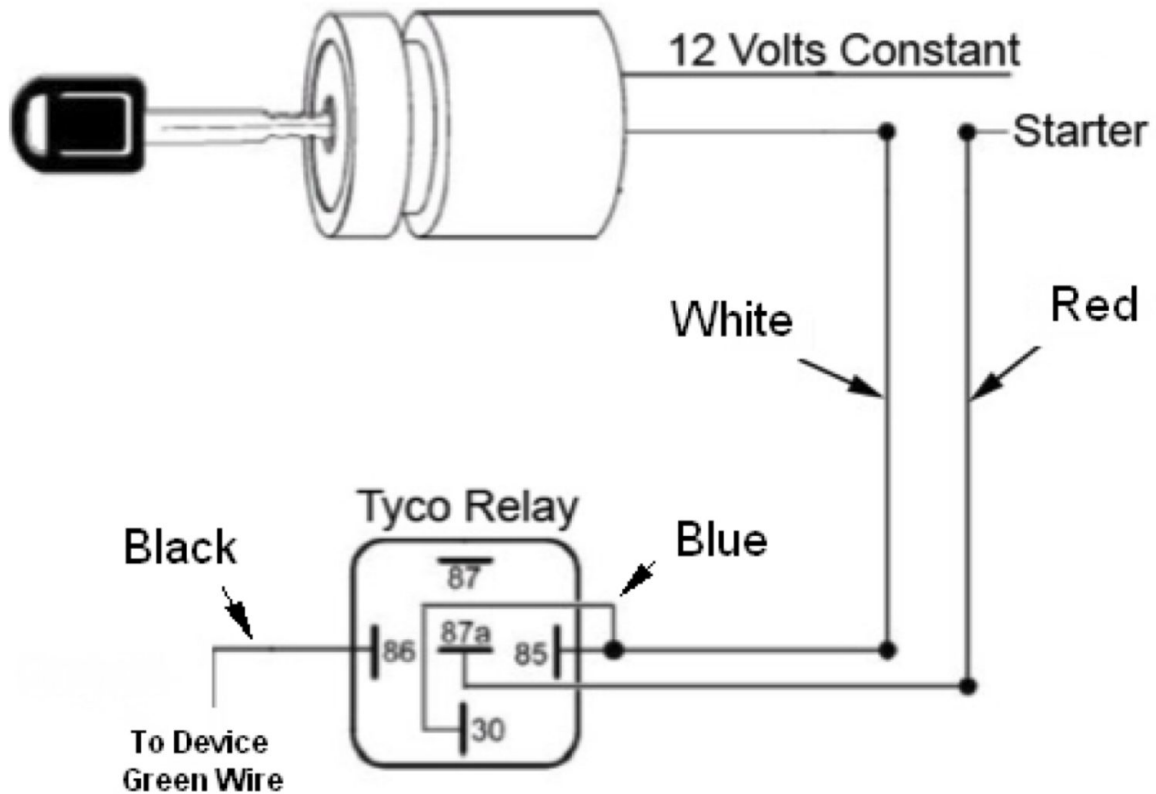


Starter Interrupt Wiring Schematic

Installation Guide Supplement



- For more detailed installation information, including pictures, go to: www.trackwhatmatters.com/install
- View your account at: app.trackwhatmatters.com